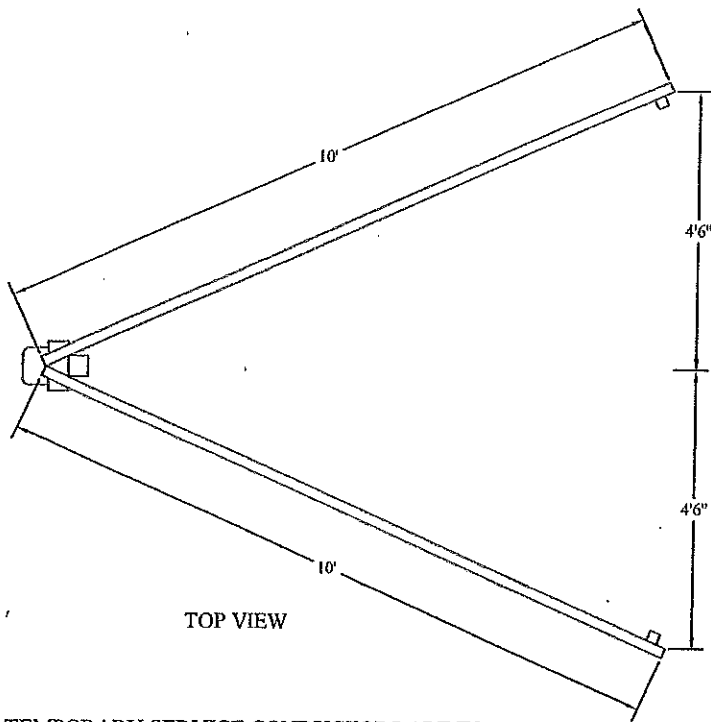


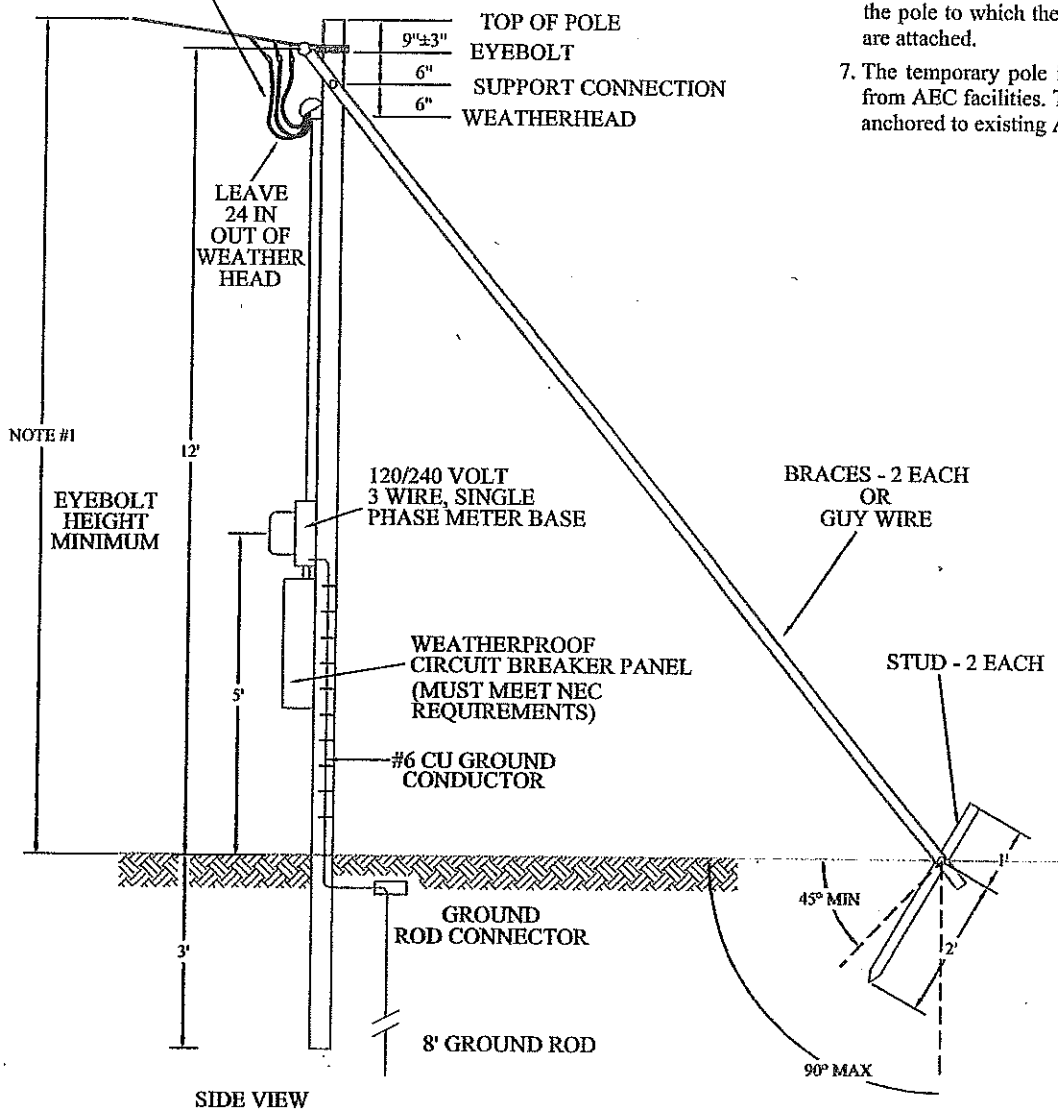
APPALACHIAN ELECTRIC COOPERATIVE

Temporary Overhead Service Guideline



TOP VIEW

TEMPORARY SERVICE CONDUCTORS ARE TO MEET THE NATIONAL ELECTRICAL SAFETY CODE



SIDE VIEW

NOTES

1. This guideline is solely intended to provide the AEC requirements for an overhead temporary service connection. Some of these requirements exceed the National Electrical Code (NEC) standards and therefore are shown here. The temporary service installation must meet both NEC and AEC requirements for connection. This guideline is not intended to replace or even convey the requirements of the NEC.
2. The AEC service drop conductors must meet the requirements for clearances, and it is pointed out to the consumer that it may be necessary for AEC to install an additional "lift" pole at the consumer's expense to provide that clearance.
3. The temporary service pole installation is to be examined by the State Deputy Wiring Inspector and sealed as "passed" prior to being connected by AEC.
4. All temporary services are to be 120/240 volt, 3 wire, single phase.
5. The neutral service conductor is to be clearly identified.
6. The temporary pole installation is to be structurally sound, adequately backfilled, tamped and braced to support a person working from an extension-straight ladder leaned against the side of the pole to which the AEC service drop conductors are attached.
7. The temporary pole is to be no more than 50 feet from AEC facilities. The temporary pole is not to be anchored to existing AEC facilities.

APPALACHIAN ELECTRIC COOPERATIVE	A E C	DESCRIPTION	TEMPORARY SERVICE GUIDELINE FOR OVERHEAD SERVICE	BY	CKD	APR	DATE	REV	USE	PAGE
							031892	062000	CE	A0032